



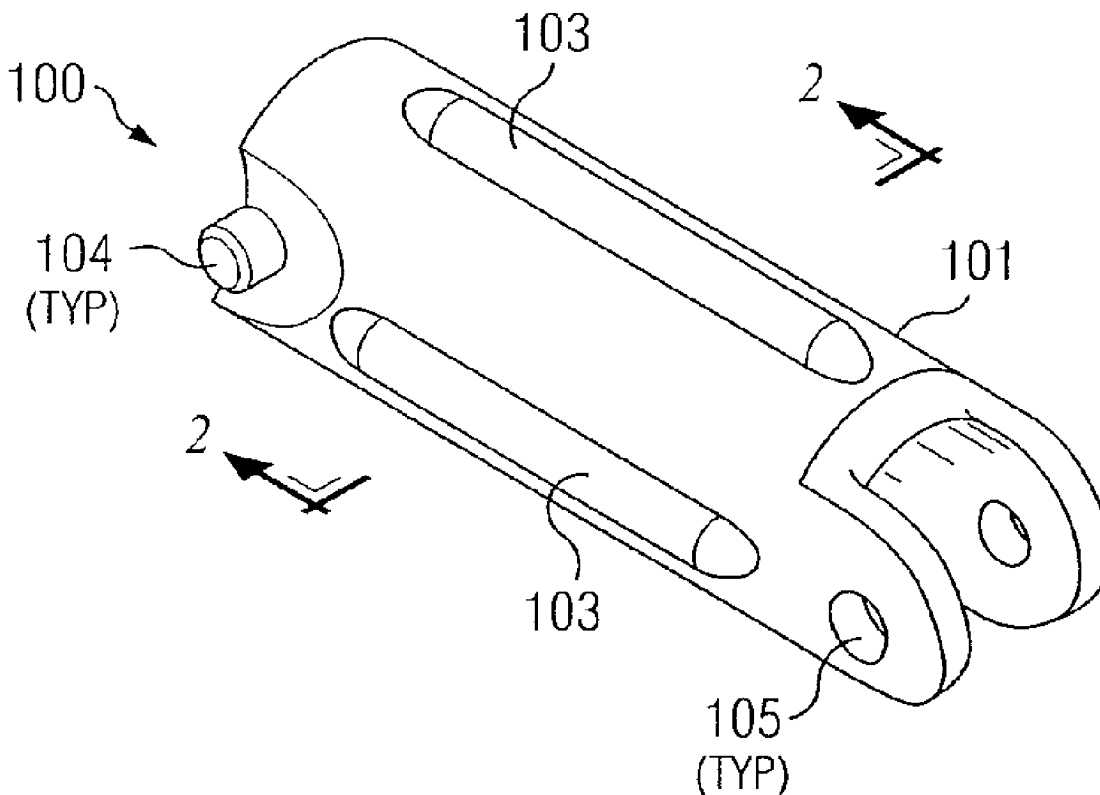
(12) **DEMANDE DE BREVET CANADIEN
CANADIAN PATENT APPLICATION**

(13) **A1**

(22) Date de dépôt/Filing Date: 2015/06/17
(41) Mise à la disp. pub./Open to Public Insp.: 2015/12/17
(30) Priorité/Priority: 2014/06/17 (US14/307,245)

(51) Cl.Int./Int.Cl. *B08B 9/02* (2006.01),
F16L 27/00 (2006.01)
(71) Demandeur/Applicant:
THOMAS ENGINEERING SOLUTIONS &
CONSULTING, LLC, US
(72) Inventeurs/Inventors:
THOMAS, WILLIAM C., US;
THOMAS, WILLIAM J., III, US
(74) Agent: MBM INTELLECTUAL PROPERTY LAW LLP

(54) Titre : SEGMENTS DE LANCE A JOINT ARTICULE AVEC SYSTEME DE PROTECTION EXTERIEUR
(54) Title: KNUCKLE-JOINTED LANCE SEGMENTS WITH AN EXTERIOR PROTECTIVE SYSTEM



(57) Abrégé/Abstract:

A knuckle-jointed lance (KJL) segment with an exterior protective system (EPS), comprising an elongated hollow body and at least one protective rod. The body has a generally trapezoidal profile, when viewed in elevation, and is open at both ends. At least one elongate recess is provided in the exterior surface of the body. Each recess follows a predetermined pathway within the exterior surface. At least one consumable protective rod is received into each elongate recess.